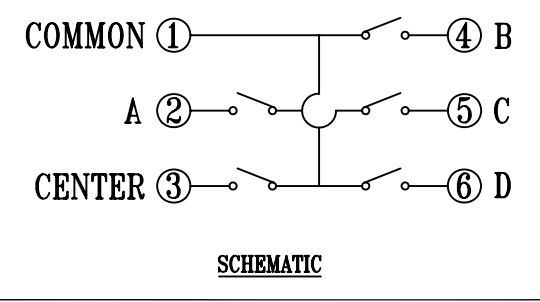
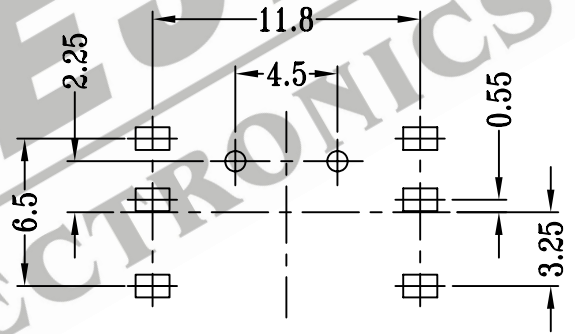
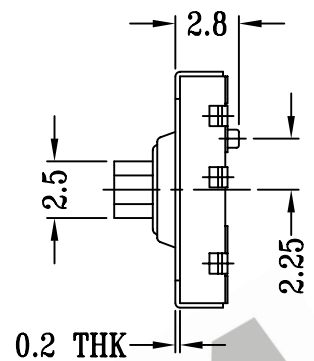
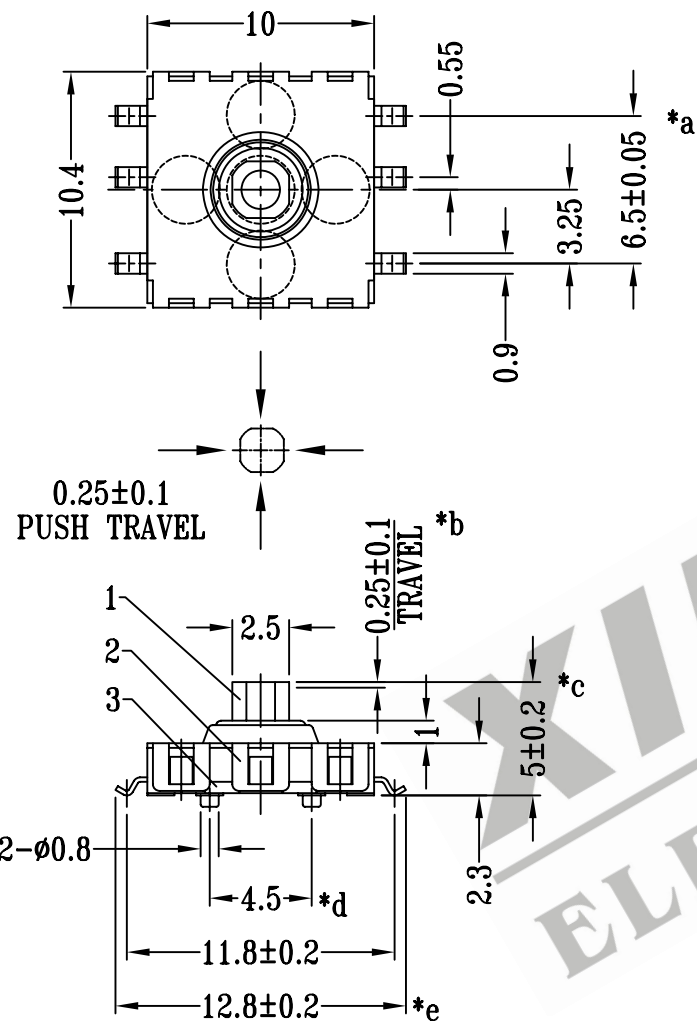


CAD FILE:



OPERATING FORCE:
CENTRAL:1250±250gf
LOCAL:500±150gf

注:带“*”表示关键尺寸(5个)

				TOLERANCE UNLESS SPECIFIED		SHENZHEN XIEJIA ELECTRONICS CO.,LTD.				
				WITHIN: 1.5±0.1mm OVER: 1.5±0.2mm		ISSUE	DATE	DESCRIPTIONS OF REVISION		APPD.
8										
7										
6	ADHESIVE TAPE	PET	1	YELLOW	TITLE : MULTI FUNVTION SWITCH MODEL: MT-004A ALL MATERIALS MUST BE COMPLIANT TO ROHS					
5	HOUSING	NYLON+F.G	1	BLACK						
4	CONTACT	SUS	6	Ag CLAD						
3	CASE	NYLON+F.G+94V0/BRASS STRIP	1	BLACK/Ag PLATED OVER Ni PLATED						
2	COVER	SUS	1	WASHING						
1	KNOB	NYLON+N.G	1	BLACK						
NO.	PARTS	MATERIALS	Q'TY	FINISH						